

# EasyGradeR

Road Grader Style Blade, Suits All Skid Steer Loaders

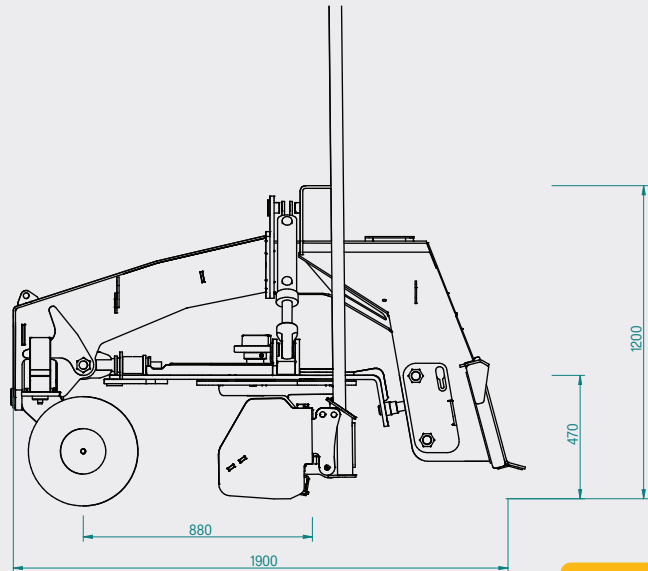


## Standard Features

- Road Grader Style Blade
- Curved Cutting Edge
- Twin Castor Walking Beam
- Dual Proportional Control Valve
- Integrated 14 Pin Connection
- Universal Hitch
- Removable Blade Wings
- Solid Fill Tyres
- Fully Greaseable Linkage
- Standard Replacement Components
- Integrated Sensor Brackets

## Options

- Machine Control Packages



	EG24R
Horsepower Range	60 - 110
Machine Width (mm)	2400
Cutting Width (mm)	2400
Length (mm)	1900
Approx. Weight (kg)	940



CELEBRATING **40 Years**

# AUSTRALIAN MADE EARTHMOVING EQUIPMENT



## Road Grader Blade

- **42° Blade Rotation** - Allows Material to Roll Along the Blade
- **400mm Side Shift** - Enabling Greater Blade Control
- **Adjustable Blade Roll** - Additional Control for Variable Applications
- **Dual Height Control** - Suitable for Laser or GPS Options



## Walking Beam

- **Twin Castors** - Improves Machine Stability and Finish Quality
- **Solid Fill Tyres** - Greater Load Carrying Capacity w. No Punctures
- **Bump Stops** - Rubber Dampeners to Cushion Movement of Walking Beam
- **Highway Grade Stubs and Bearings** - Easy to Maintain and Replace



## Control Valve

- **Proportional Solenoids** - Provides Fast and Accurate Blade Movement
- **Flat Face Couplings** - Connects Directly to your Machine
- **Hydraulic Flow Protection** - Check Valve to Eliminate Accidental Damage
- **Genuine Walvoil™ Valve** - Spare Parts Available Nationwide



## 14 Pin Integration

- **14, 8 or 7 Pin Deutsch Connector** - Connects Directly to Your Machine
- **Joystick Integration** - Control Blade via Joystick AUX Functions
- **Configured to Suit Your Model of Skid Steer**
- **Intuitively Operate Machine and Attachment Simultaneously**