

EasyGradeB

The Lawless Lasers take on the Skid Steer Box Blade

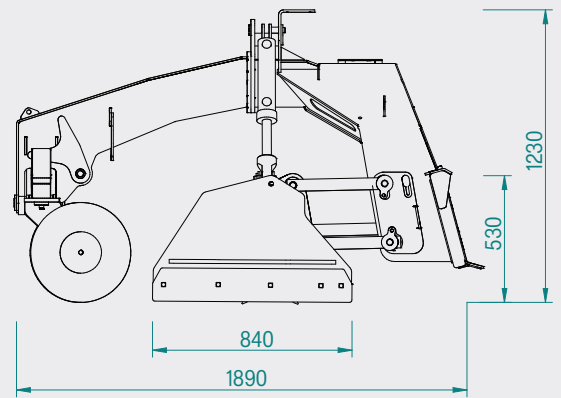


Standard Features

- Box Blade - Front and Rear Cutting Edges
- Twin Castor Walking Beam
- Dual Proportional Control Valve
- Integrated 14 Pin Connection
- Universal Hitch
- Adjustable and Replaceable Wing Wear Plates
- Solid Fill Tyres
- Fully Greaseable Linkage
- Standard Replacement Components
- Adjustable to Suit Operating Height of Any Skid Steer

Options

- Machine Control Packages



	EG18B	EG21B	EG24B
Horsepower Range	55 - 80	55 - 100	70 - 100
Machine Width (mm)	1800	2100	2400
Cutting Width (mm)	1750	2050	2350
Length (mm)	1890		
Approx. Weight (kg)	800	850	900



CELEBRATING **40 Years**

AUSTRALIAN MADE EARTHMOVING EQUIPMENT



Box Blade

- **Front and Rear Hinged Cutting Edge** - Improves Surface Finish
- **Fixed Wings** - 12mm Wing w. Hardox® Adjustable Wear Plates
- **Adjustable Linkage** - Ensures Both Blades Cut at the Same Height
- **Integrated Mast Brackets** - Easily Remove Mast for Transport



Walking Beam

- **Twin Castors** - Improves Machine Stability and Finish Quality
- **Solid Fill Tyres** - Greater Load Carrying Capacity w. No Punctures
- **Bump Stops** - Rubber Dampeners to Cushion Movement of Walking Beam
- **Highway Grade Stubs and Bearings** - Easy to Maintain and Replace



Control Valve

- **Proportional Solenoids** - Provides Fast and Accurate Blade Movement
- **Flat Face Couplings** - Connects Directly to your Machine
- **Hydraulic Flow Protection** - Check Valve to Eliminate Accidental Damage
- **Genuine Walvoil™ Valve** - Spare Parts Available Nationwide



14 Pin Integration

- **14, 8 or 7 Pin Deutsch Connector** - Connects Directly to Your Machine
- **Joystick Integration** - Control Blade via Joystick AUX Functions
- **Configured to Suit Your Model of Skid Steer**
- **Intuitively Operate Machine and Attachment Simultaneously**

