

EasyGrade Mini R

All the Benefits of a Road Grader Without the Size

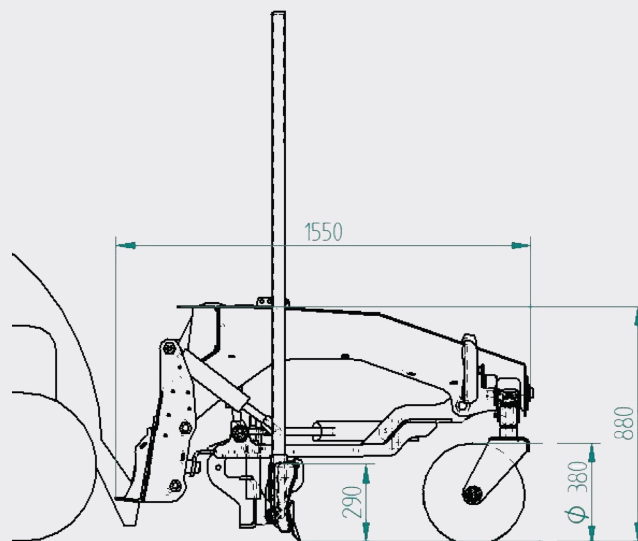


Standard Features

- Road Grader Style Blade
- Curved Cutting Edge
- Twin Castor Walking Beam
- Proportional Control Valve
- Universal Hitch
- Fully Greaseable Linkage
- Large Blade View Mirrors
- Standard Replacement Components

Options

- Machine Control Packages



	EGM18R
Horsepower Range	30 - 50
Max. Cut Width (mm)	1830
Min. Cut Width (mm)	1480
Length (mm)	1550
Approx. Weight (kg)	350



CELEBRATING **40 Years**

AUSTRALIAN MADE EARTHMOVING EQUIPMENT



Grader Blade

- **Standard Grader Blade** - Off the Shelf Part, Available Australia Wide
- **Curved Cutting Edge** - Doubled Sided for Longer Lifespan
- **Easy to Change** - Simply Bolts to Mouldboard
- **Integrated Mast Brackets** - Easily Remove Masts for Transport



Walking Beam

- **Twin Castors** - Improves Machine Stability and Finish Quality
- **Solid Fill Tyres** - Greater Load Carrying Capacity w. No Punctures
- **Bump Stops** - Rubber Dampeners to Cushion Movement of Walking Beam
- **Highway Grade Stubs and Bearings** - Easy to Maintain and Replace



Road Grader Turntable

- **Blade Rotation** - 70° of Rotation, 35° Either Side of Centre
- **Blade Tilt** - Up to 18° on Either Side
- **Blade Roll** - 17.5° Forward for Improved Versatility
- **Nylon Turntable Runners** - Adjustable to Ensure Accurate Finish



Control Valve

- **Proportional Solenoids** - Provides Fast and Accurate Blade Movement
- **Modular** - Easily Expanded to Accommodate Dual Axis Lift
- **Hydraulic Flow Protection** - Check Valve to Eliminate Accidental Damage
- **Genuine Walvoil™ Valve** - Spare Parts Available Nationwide